



ELECTRIC DUST / GRANULAR APPLICATOR USER'S MANUAL

Safety Precautions

- Always wear personal protection equipment required by the insecticide label.
- Keep cap on duster while not in use and while transporting.
- Always follow label directions on dust or granular insecticides.
- Do not move or position the duster by pulling on the electric cord.



Adjusting Delivery

- The treatment area of dust or granules applied can be adjusted by adding the 12 in. (30 cm) extension tube to the flexible hose on the cap.

Flexible hose (only) - This configuration delivers granules over an approximately 30 sq. ft. (2.8 sq. meters) area.

Flexible hose + extension - This configuration delivers granules over an approximately 50 sq. ft. (4.6 sq. meters) area.

Suggested Uses

- For the application of dust and granular insecticides in attics, crawl spaces, ceiling voids, and perimeter treatment with granules, and dusting rodent burrows.

Before Starting

- Be sure the tank cap is on securely and all hoses and extension tubes are in good condition.

Operating Instructions

Filling

- Unscrew the cap at the end of the tank and add granules or dust slowly to the tank. Do not over fill the unit; it will function best when not more than 3/4 full of dust or granules.
- Keep the cap securely closed during operation; the delivery of dust or granules depends on air-tight system.

Select Hose or Extension

- Either of the two delivery tubes supplied with the unit can be used to apply dust or granules.
- The flexible hose and extension tube combined can deliver material a distance further than just the flexible hose.

IMPORTANT

Application of dust for an extended period of time with this unit can result in a small electric charge accumulating in the on/off switch. Touching the metal switch can result in a mild shock.

Care and Maintenance

- Empty the duster when not in regular use, do not allow dust or granules to remain in the unit for an extended time.
- Keep the inside of the duster dry and completely free of liquids.

Trouble Shooting

Problem: Dust leaking around the cap

Solution:

- Tighten the cap
- Replace the cap

Problem: Not enough dust delivered with each stroke

Solution:

- Turn unit until the siphon tube is at the bottom, resting in the dust
- Add marbles to container to keep dust from clumping

Problem: Dust leaking around the hose

Solution:

- Tighten the clamp at base of hose

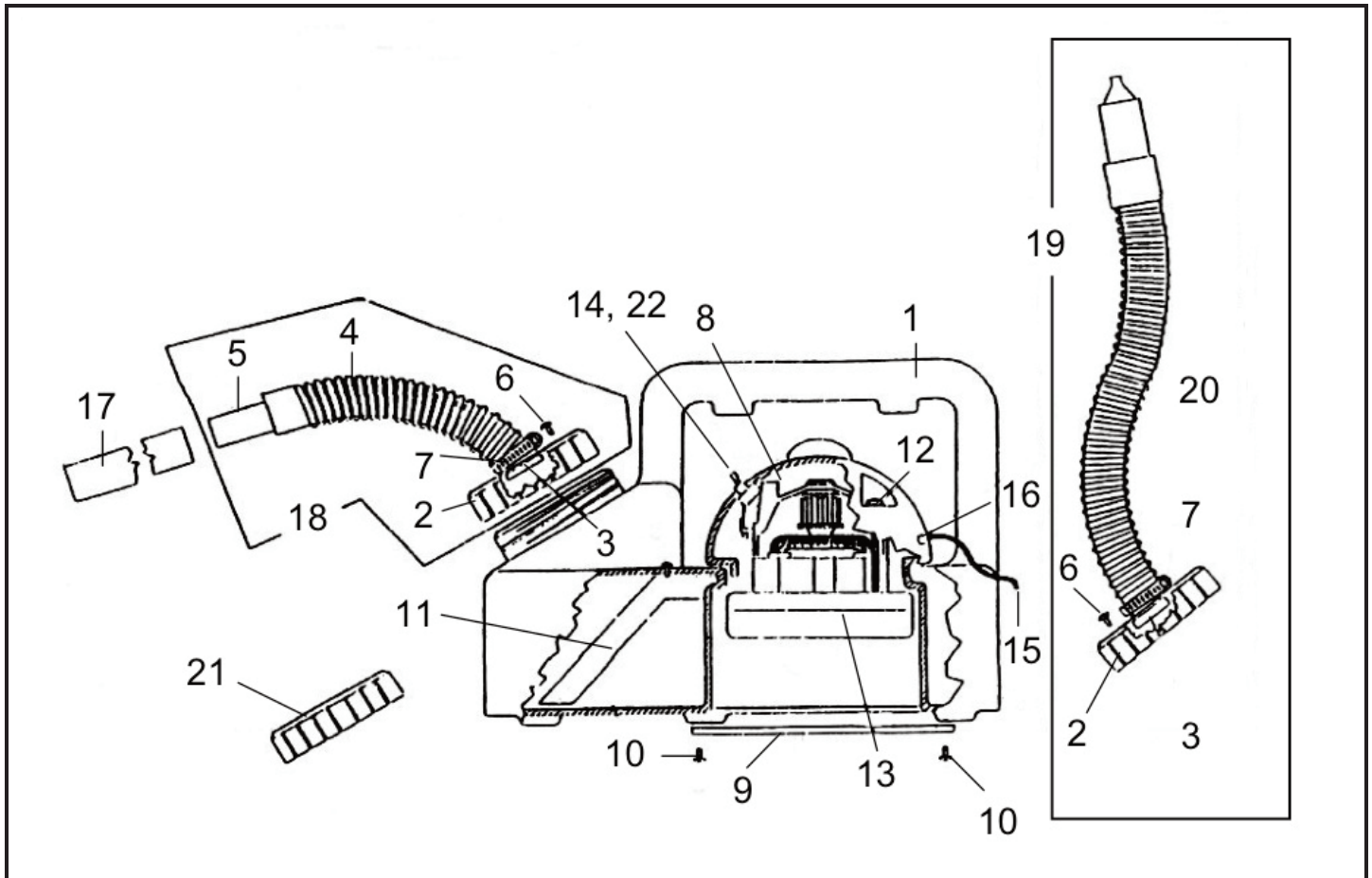
Problem: Dust leaking around the handle

Solution: Replace worn plunger gland (#DR-020)

Problem: Granules not delivered through the hose or the extension tube

Solution:

- Some granular formulations have different size particles, and some may be too large



MODEL 2250 ELECTRIC DUST-R

#	Part #	Description
1	2251	1.5 gallon tank
2	2255	Cap with liner
3	2256	Flange
4	2257	Flexible hose
5	2258	Cuff
6	2260	Screw, #6
7	2261	Clamp
8	2252	Cover
9	2305	Motor guard
10	2306	Screw, #8
11	2253	Duct, stainless steel
12	2308	Screw, #10
13	2323	Motor, 110V, 2 stage Motor, 220V, 2 stage
14	2311	Switch, 110V Switch, 220V
15	2314	Cord, 110V Cord, 220V
16	2315	Strain relief
17	2259	Extensions
18	2263	Discharge unit
19	2264	Void treat discharge
20	2265	Void treat hose
21	2262	Cap with liner
22	990	Boot/switch



B&G Help Line
800-544-8811



135 REGION SOUTH DRIVE • JACKSON, GA 30233
Toll Free 800-544-8811 • Phone 678-688-5601
www.bgequip.com • Fax 678-688-5633